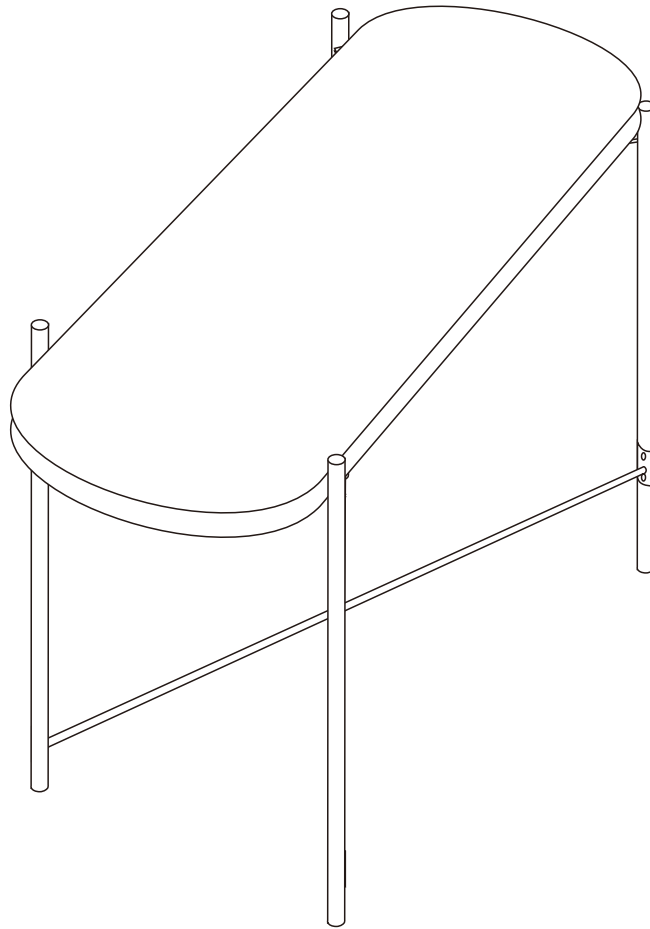
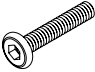

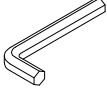

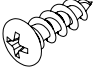

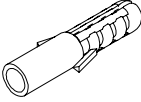
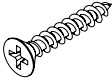


Console table

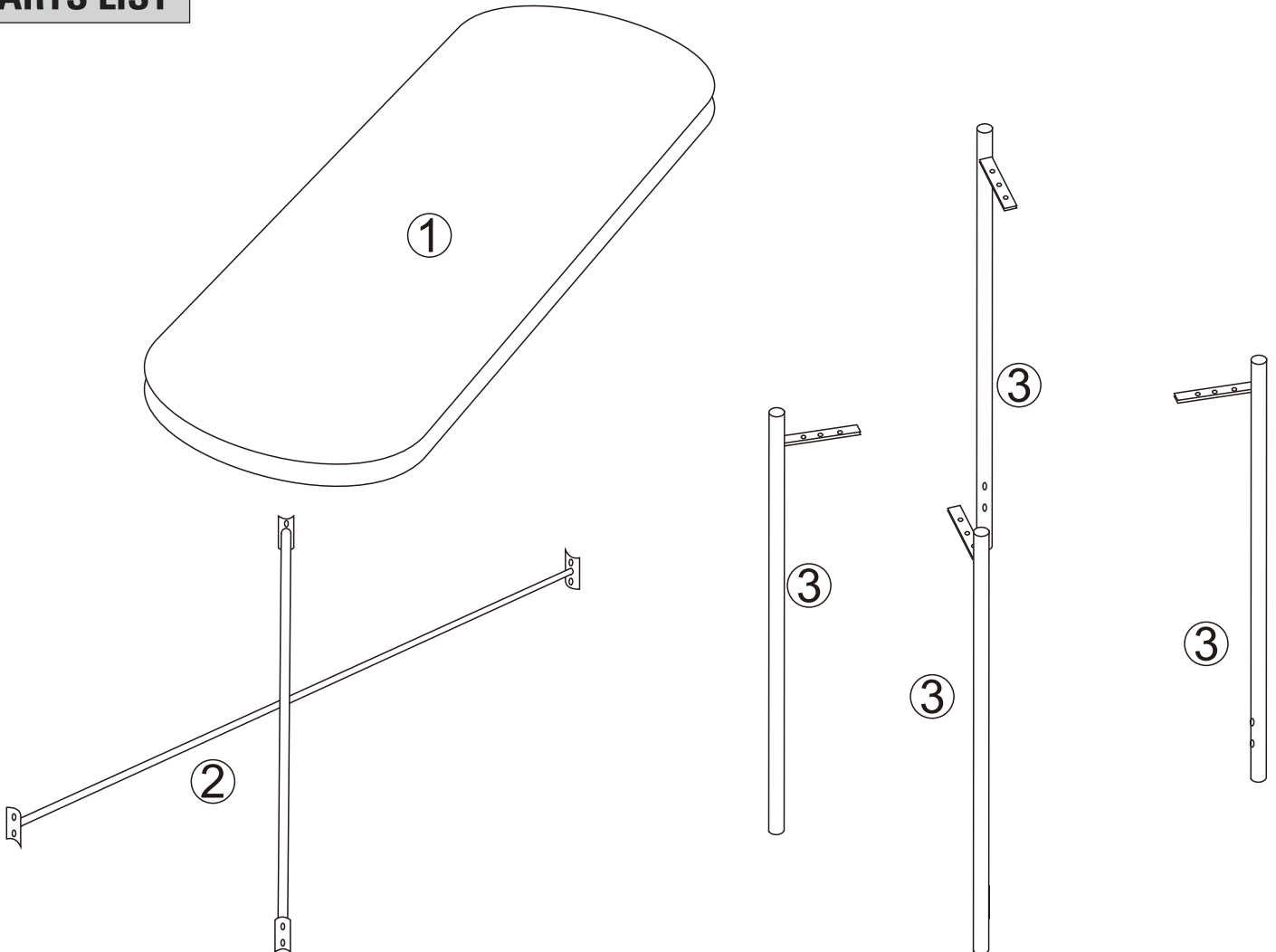


ASSEMBLY INSTRUCTION

HARDWARE LIST

A 12 PCS		B 8 PCS		C 1 PC		D 2 PCS		E 2 PCS	
F 2 PCS		G 2 PCS		H 2 PCS					

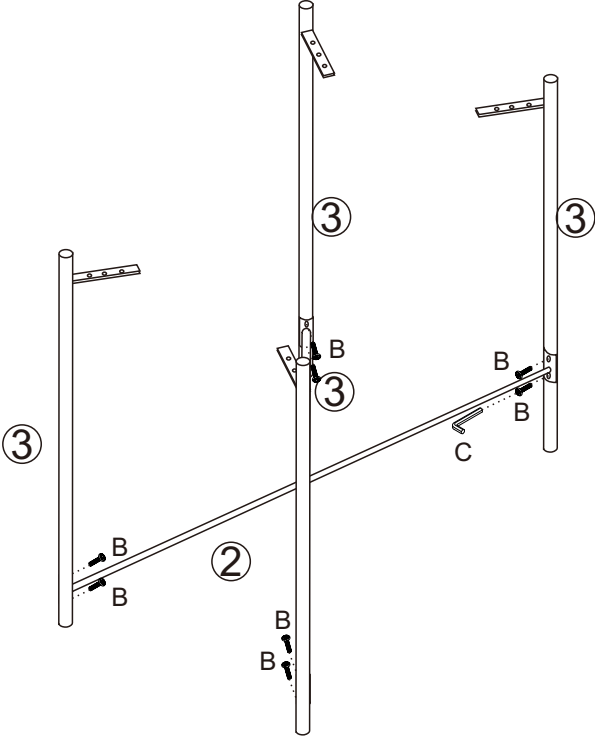
PARTS LIST



ASSEMBLY STEPS

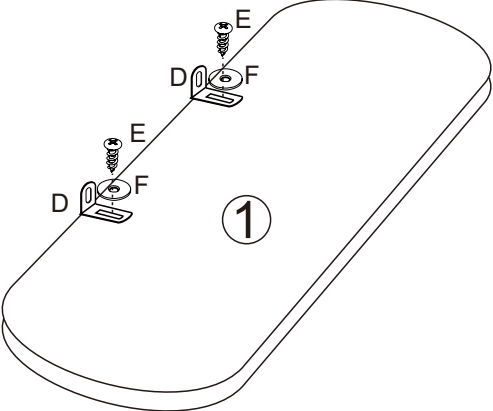
STEP 1.

Fix parts 2 to parts 3 using screws (B) and allen key (C), as shown.



STEP 2.

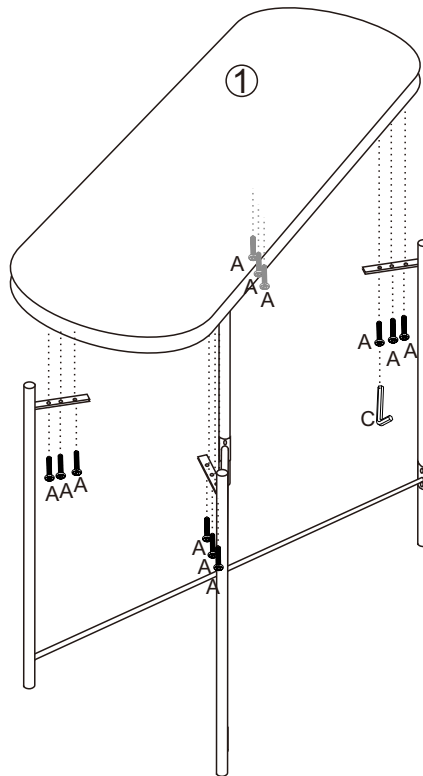
Fix wall brackets (D) to part 1 using washers (F) and screws (E), as shown.



ASSEMBLY STEPS

STEP 3.

Fix part 1 to assembled unit using screws (A) and allen key, as shown.



STEP 4.

For extra stability, you must fix your Console table to the wall using hardwares (G and H), as shown. Screws (H) are fixed through wall brackets and into the wall plugs (G). Should you choose not to affix the product to the wall, serious injury may be caused if the product tips over.

